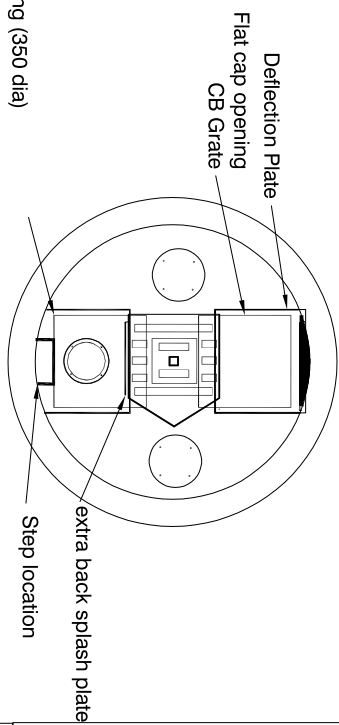
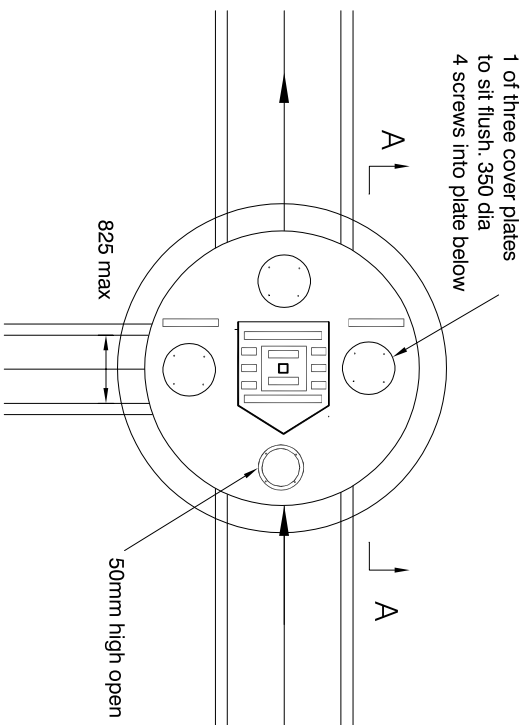
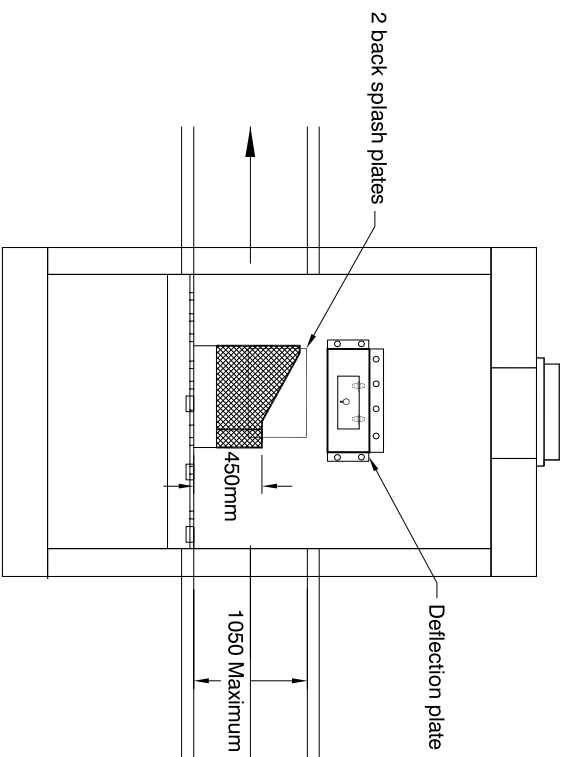


Section A-A

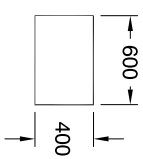


View of 2 deflection plates

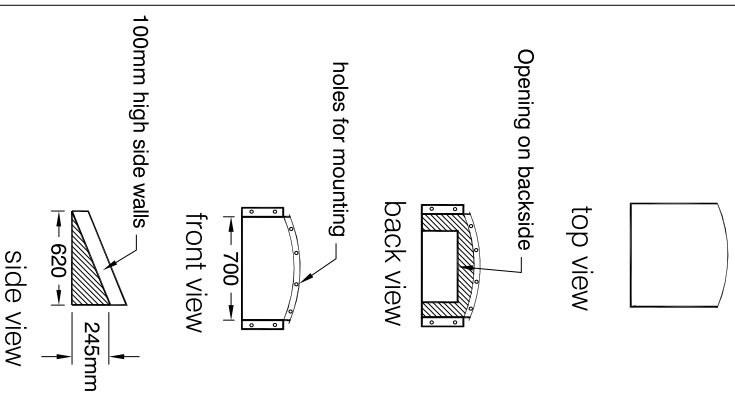


Inlet deflection plate

To be attached during installation
Location is opposite of deflection plate



Back splash plate



Deflection plate details

1800 DCBMH Shield-Center insert-3.21