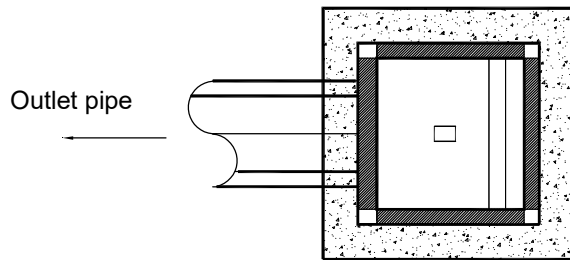


Notes

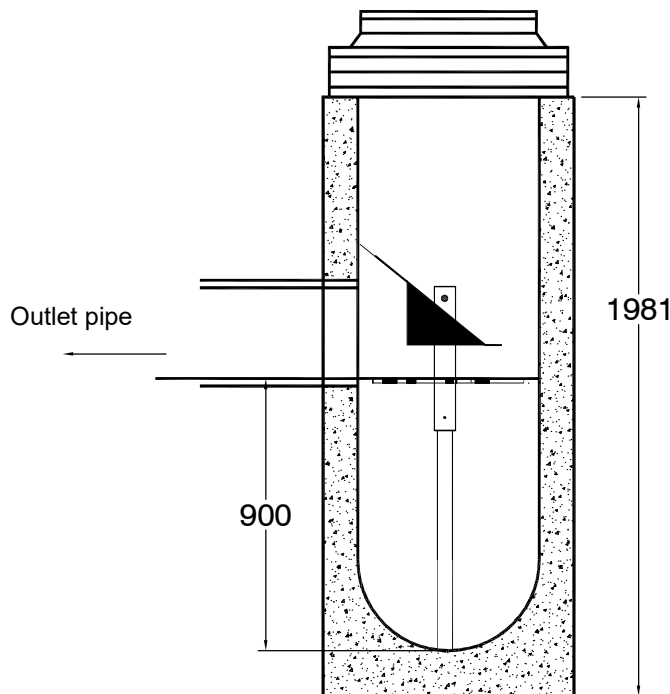
1 Recommended depth t/g - invert = 1.2m

Maximum depth t/g - invert = 2.4m

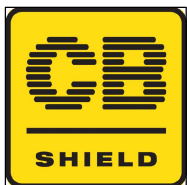
1. CB Shield to be installed in non frozen conditions.
2. The frame and cover should be well aligned with the catchbasin.
3. The sump must be clean before installation
4. The grate is at the same elevation as pipe invert.
5. Pipes must be cut flush with inside walls



Top view



Profile view



600 x 600 CB
CB Shield (900mm Sump)